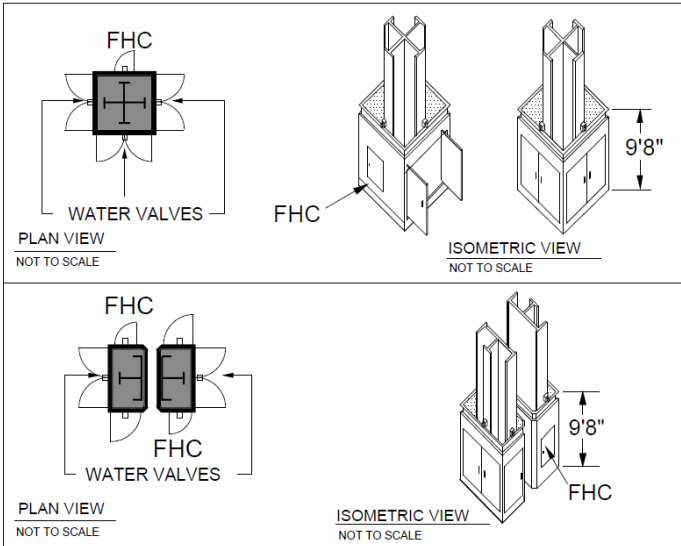
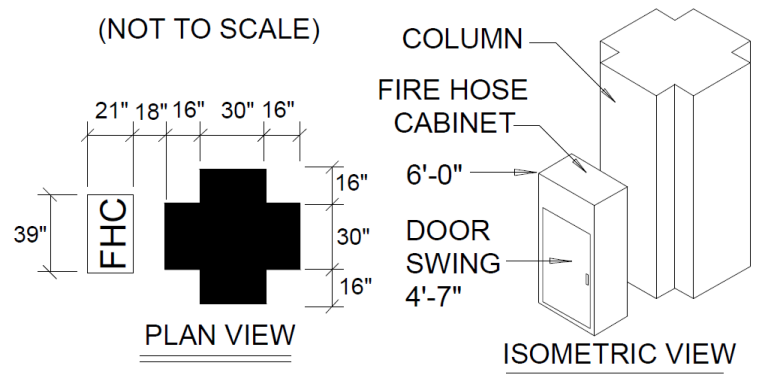


South Hall & North Hall



Lakeside Level 3



Booth spaces next to a fire hose cabinet (FHC) can have no impediments or obstructions may be placed within 42" clearance area which prohibits the column doors from opening quickly and completely.